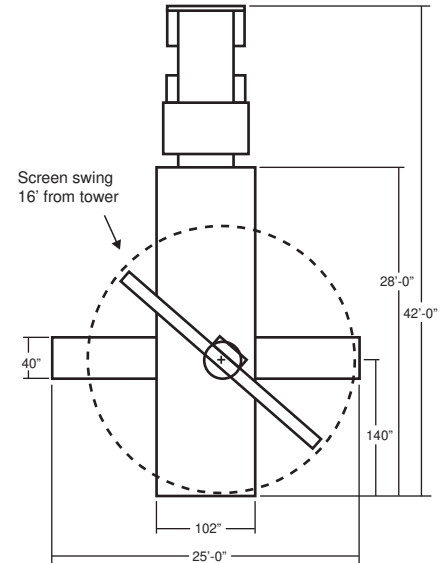


GoBig Mobile LED Screen



Trailer Footprint



Mid-Size LED screens provide great flexibility and a cost effective “WOW” for your event. Looking for more coverage? The G10 Mobile Video can be hauled as a double pack - meaning two screen can be transported by a single truck - making a second screen often priced at a discount.

Screen Specs

- 13' x 23' GV 3.9mm
- Screen Resolution – 3.9mm Physical
- Pixel Resolution – 1024 H x 1792 W
- Effective Viewing Distance – 10' - 1,500'
- Aspect Ratio – 16:9
- Brightness – 5,000 nits
- IP 67 Certified – Weatherproof and Waterproof
- Screen Elevation (Top of Screen) – 32'
- Trim Height – 18' from ground to bottom of screen
- Viewing Angle – 120° horizontal / 60° vertical
- Perimeter Signage Optional

Side Banners Only: 14' High x 21' Wide

Trailer and Power Specs

- Length – 28' (42' with tractor)
- Width – 8'6" (25' with Outriggers, 32' with Screen Swing)
- Trailer Weight with Screen – 25,300 lbs.
- Wind Speed Tolerance – 45mph
- Greater Noise Level – 64db @ 23'
- On Board Generator
- Shore Power Hook-up Available
 - Type – 3 phase
 - Voltage/Frequency – 208V / 60hz
 - Power – 100A / phase leg
 - Connections – Camlok

Sign Panel Dimensions



- Banner dimensions are finished sizes.
- Preferred Signage Material - Vinyl Banners with Grommets
- Place grommets in 1 foot increments to ensure the best fit and professional appearance.

ONE OF THE LARGEST MOBILE LED FLEETS IN NORTH

AMERICA For more information, call (940)464.2320 or email

info@govisionxp.com