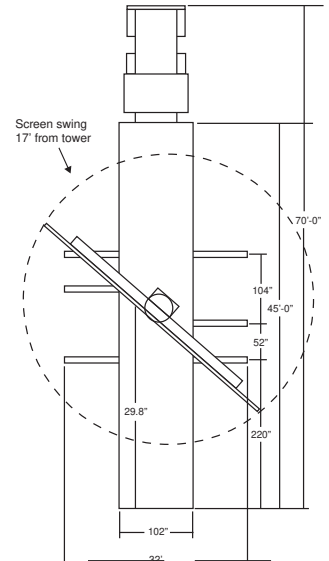


GoBigger Mobile LED Screen



Trailer Footprint



Massive widescreen (16:9 aspect ratio) display can be raised well above the crowd, and the full 360° rotation allows the display to face the crowd in any direction for optimal visual presentation.

Screen Specs

- 15' x 26' GV3.9mm
 - Screen Resolution – 3.9mm Physical
 - Pixel Resolution - 1152 H x 2048 W
 - Effective Viewing Distance – 40' - 1,600'
 - Aspect Ratio – 16:9
 - Brightness – 5,500 nits
 - IP 67 Certified – Weatherproof and Waterproof
 - Screen Elevation (Top of Screen) – 31'
 - Trim Height – 15' from ground to bottom of screen
 - Viewing Angle – 120° horizontal / 70° vertical
 - Video Inputs – Composite, SDI, HD-SDI
 - Weight – 3,200 lbs.
 - Perimeter Signage Optional
- Side Banners: 15'9" High x 3' Wide Top Banner: 3' High x 31'2.5" Wide

Trailer and Power Specs

- Length – 45' (70' with tractor)
- Width – 8' (32' with Outriggers)
- Trailer Weight with Screen – 40,720 lbs.
- Wind Speed Tolerance – 45mph
- On Board Generator
- Shore Power Hook-up Available
 - Shore Power Requirements: 200Amp, 5 wire, 3 phase
 - Connections – Camlok
 - Power Consumption – 15kw/h @ 40Amp/phase leg

Sign Panel Dimensions



- Banner dimensions are finished sizes.
- Preferred Signage Material - Vinyl Banners with Grommets
- Place grommets in 1 foot increments to ensure the best fit and professional appearance.

ONE OF THE LARGEST MOBILE LED FLEETS IN NORTH

AMERICA For more information, call (940)464.2320 or email

info@govisionxp.com